



# Product Pricing 2022

ALL PRICES EX VAT

# ASHELTA CONTENTS

## Product Pricing 2022

2 RUNNERS.....	3
3 RUNNERS.....	4
4 RUNNERS.....	5
FRAME COLOURS & FINISHES.....	6
FABRIC COLOURS & FINISHES.....	7
FABRIC SUPPORT TUBES.....	8
CONTROLLERS / SENSORS.....	8
LED LIGHTS.....	8
FRAME SUPPORT BRACKETS.....	8
ADDITIONAL FABRIC SUPPORT.....	9
RETRACTABLE GUTTER.....	9
ADDITIONAL CROSSBAR.....	9
ANTIDROP SYSTEM.....	10
ANTISPRAY PROFILE.....	10
ADDITIONAL RUNNER.....	10
UNDERSIDE DRIP-COLLECTION RIM (FLAT ONLY).....	10
AWNING PROTECTION COVER.....	11
APPENDIX .....	12

# ASHELTA 2 RUNNERS

		WIDTH (UP TO CM)						
		200	250	300	350	400	450	500
PROTECTION (UP TO CM)	200	£2,600	£2,750	£2,900	£3,250	£3,500	£3,700	£4,150
	300	£3,100	£3,300	£3,500	£3,950	£4,200	£4,500	£5,000
	400	£3,800	£4,050	£4,300	£4,800	£5,100	£5,450	£5,750
	500	£4,400	£4,650	£4,950	£5,500	£5,900	£6,250	£6,650
	600	£4,850	£5,200	£5,550	£6,150	£6,550	£7,000	£7,450
	700	£5,800	£6,150	£6,550	£7,250	£7,700	£8,200	£8,650
	800	£6,300	£6,700	£7,100	£7,850	£8,400	£8,900	£9,450
	900	£6,750	£7,200	£7,700	£8,500	£9,050	£9,650	£10,250

## INCLUDES

- ✓ Tubular Motor
- ✓ Remote Control
- ✓ Choice of 3 fabric types
- ✓ Choice of colours for aluminium and plastic components
- ✓ Delivery to mainland UK
- ✓ Comprehensive 5 year warranty

For more information see the ASHELTA Technical Document

# ASHELTA 3 RUNNERS

		WIDTH (UP TO CM)								
		500	550	600	650	700	750	800	850	900
PROTECTION (UP TO CM)	200	£4,000	£4,250	£4,350	£5,000	£5,100	£5,300	£5,750	£5,750	£6,000
	300	£4,950	£5,250	£5,350	£6,100	£6,250	£6,500	£7,000	£7,000	£7,300
	400	£6,050	£6,400	£6,550	£7,400	£7,550	£7,850	£8,200	£8,200	£8,550
	500	£7,050	£7,500	£7,650	£8,600	£8,750	£9,150	£9,550	£9,550	£9,950
	600	£7,950	£8,450	£8,600	£9,700	£9,850	£10,300	£10,700	£10,750	£11,200
	700	£9,450	£10,050	£10,250	£11,450	£11,650	£12,100	£12,600	£12,600	£13,150
	800	£10,350	£11,000	£11,200	£12,500	£12,750	£13,250	£13,800	£13,800	£14,400
	900	£11,250	£11,950	£12,200	£13,600	£13,800	£14,400	£15,000	£15,000	£15,700

## INCLUDES

- ✓ Tubular Motor
- ✓ Remote Control
- ✓ Choice of 3 fabric types
- ✓ Choice of colours for aluminium and plastic components
- ✓ Delivery to mainland UK
- ✓ Comprehensive 5 year warranty

# ASHELTA 4 RUNNERS

		WIDTH (UP TO CM)							
		950	1000	1050	1100	1150	1200	1250	1300
PROTECTION (UP TO CM)	200	£6,700	£6,850	£6,900	£7,200	£7,450	£7,750	£7,000	£7,100
	300	£8,300	£8,450	£8,550	£8,850	£9,200	£9,500	£8,800	£8,940
	400	£10,000	£10,200	£10,300	£10,700	£11,050	£11,450	£10,550	£10,700
	500	£11,700	£11,900	£12,050	£12,500	£12,900	£13,360	£11,550	£11,700
	600	£13,250	£13,450	£13,600	£14,100	£14,600	£15,100	£13,350	£13,500
	700	£15,650	£15,900	£16,050	£16,600	£17,150	£17,700	£16,000	£16,200
	800	£17,150	£17,450	£17,650	£18,200	£18,800	£19,400	£17,400	£17,600
	900	£18,700	£18,950	£19,200	£19,850	£20,500	£21,150	£19,150	£19,400

## INCLUDES

- ✓ Tubular Motor
- ✓ Remote Control
- ✓ Choice of 3 fabric types
- ✓ Choice of colours for aluminium and plastic components
- ✓ Delivery to mainland UK
- ✓ Comprehensive 5 year warranty

# ASHELTA FRAME & FABRIC OPTIONS

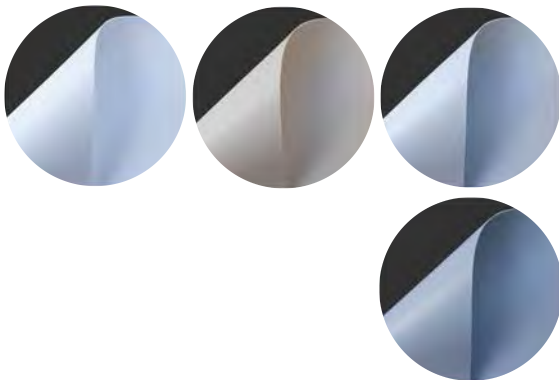
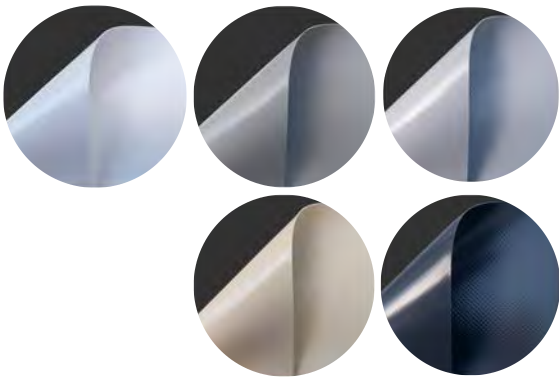
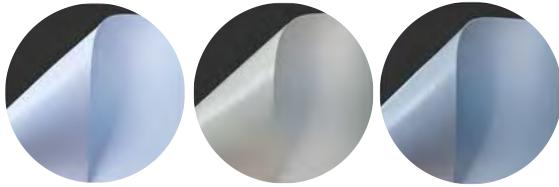
## FRAME COLOURS & FINISHES



MATT	
White	Standard - No Surcharge
Ivory	Standard - No Surcharge
Grey	Standard - No Surcharge
White Plus	Standard - No Surcharge
GLOSS	
White	2.50%
Ivory	2.50%
Grey	2.50%
Brown	2.50%
TEXTURE	
White	Standard - No Surcharge
Spring Green	Standard - No Surcharge
Dark Grey	Standard - No Surcharge
Dove Grey	Standard - No Surcharge
Night	Standard - No Surcharge
Anthracite	Standard - No Surcharge
Brown	Standard - No Surcharge
Graphite	2.50%
Salt & Pepper	2.50%
Cor 10	2.50%
Dark Bronze	2.50%
Titanium	2.50%
Colour on Request	5.00%

# ASHELTA FRAME & FABRIC OPTIONS

## FABRIC COLOURS & FINISHES

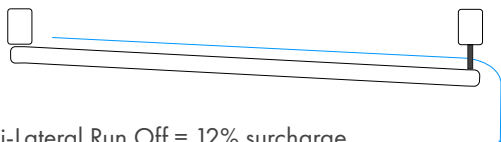


BLOCK	
White	Standard - No Surcharge
Ivory	Standard - No Surcharge
Grey	Standard - No Surcharge
LAC 650	
White	Standard - No Surcharge
Pale Khaki	Standard - No Surcharge
Light Grey	Standard - No Surcharge
Ivory	Standard - No Surcharge
Dark Grey	Standard - No Surcharge
STAM 6002	
White	Standard - No Surcharge
Ivory	Standard - No Surcharge
Light Grey	Standard - No Surcharge
Medium Grey	Standard - No Surcharge
SOLTIS W96	
White	£35 / M2
Ivory	£35 / M2
Sand	£35 / M2
Light Grey	£35 / M2
Dark Grey	£35 / M2

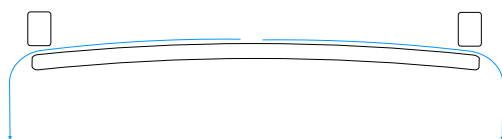
# ASHELTA OPTIONS

## FABRIC SUPPORT TUBES

Lateral Run Off = 6% surcharge  
 Spacers between runner and fabric support tubes



Bi-Lateral Run Off = 12% surcharge  
 Curved support tubes



## LED LIGHTS

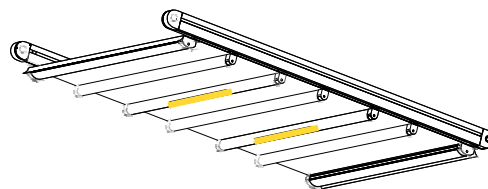
LED strip lights integrated into fabric support tubes

RGB - Including Cold White (4000k)

- 2 Runners & 2 Strips = £900
- 3 Runners & 4 Strips = £1,480
- 4 Runners and 6 Strips = £1,980

White - Warm (2700k)

- 2 Runners & 2 Strips = £580
- 3 Runners & 4 Strips = £880
- 4 Runners and 6 Strips = £1,090



## REMOTE CONTROLLERS / SENSORS

Additional Remote Controls

Single channel = £60

10 channel = £120

Remote Wall Switch = £100



Rain Sensor = £240

Wired Sun / Wind = £180

Wireless Sun / Wind = £180



## FRAME SUPPORT BRACKETS

£12 each



Allow 2 brackets (1 per runner) per metre projection.  
 For example a 8m projection requires a total of 16 brackets



# ASHELTA OPTIONS

WIDTH (UP TO CM)

	200	250	300	350	400	450	500	550
ADDITIONAL FABRIC SUPPORT TUBE	£43	£49	£55	£65	£65	£77	£77	£97
RETRACTABLE GUTTER	£136	£153	£167	£200	£200	£233	£233	£317
CROSSBAR	£78	£91	£104	£132	£132	£160	£160	£208

WIDTH (UP TO CM)

	600	650	700	750	800	850	900	950
ADDITIONAL FABRIC SUPPORT TUBE	£97	£119	£119	£119	£119	£141	£141	£173
RETRACTABLE GUTTER	£317	£384	£384	£384	£384	£448	£448	£567
CROSSBAR	£208	£264	£264	£264	£264	£318	£318	£396

WIDTH (UP TO CM)

	1000	1050	1100	1150	1200	1250	1300
ADDITIONAL FABRIC SUPPORT TUBE	£173	£173	£173	£173	£173	£207	£207
RETRACTABLE GUTTER	£567	£567	£567	£567	£567	£663	£663
CROSSBAR	£396	£396	£396	£396	£396	£479	£479

See appendix for product image references.  
Numbers respectively reference components.



# ASHELTA OPTIONS

WIDTH (UP TO CM)

	200	250	300	350	400	450	500	550
ANTI-DROP SYSTEM	£46	£56	£66	£78	£89	£100	£112	£123
ANTI-SPRAY PROFILE	£25	£45	£45	£49	£49	£67	£67	£67
ADDITIONAL RUNNER	£406	£464	£528	£626	£655	£747	£781	£873
UNDERSIDE DRIP-COLLECTION RIM (FLAT ONLY)	£57	£71	£85	£99	£113	£127	£140	£155

WIDTH (UP TO CM)

	600	650	700	750	800	850	900
ANTI-DROP SYSTEM	£135	£147	£157	£167	£180	£192	£201
ANTI-SPRAY PROFILE	£67	£89	£89	£89	£89	£111	£111
ADDITIONAL RUNNER	£902	£1,166	£1,195	£1,209	£1,298	£1,331	£1,423
UNDERSIDE DRIP-COLLECTION RIM (FLAT ONLY)	£172	£186	£198	£211	£228	£242	£256

See appendix for product image references.  
Numbers respectively reference components.



# ASHELTA OPTIONS

\*Please note : Additional Cross Bar also required

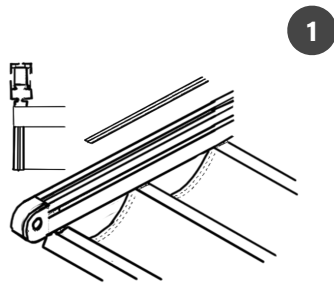
		AWNING PROTECTION ROOF WIDTH (UP TO CM)							
		200	250	300	350	400	450	500	550
AWNING PROTECTION ROOF   PIVOT (UP TO CM)*	75	£158	£161	£210	£221	£250	£299	£318	£417
	100	£214	£220	£284	£295	£341	£406	£435	£564
	125	£273	£276	£357	£368	£432	£512	£550	£712
	140	£331	£335	£433	£442	£521	£619	£665	£861

		WIDTH (UP TO CM)							
		600	650	700	750	800	850	900	950
AWNING PROTECTION ROOF   PIVOT (UP TO CM)*	75	£417	£437	£498	£498	£498	£531	£593	£652
	100	£565	£584	£678	£679	£679	£711	£806	£873
	125	£713	£733	£858	£861	£861	£892	£1,019	£1,096
	140	£862	£880	£1,040	£1,041	£1,041	£1,072	£1,232	£1,317

		WIDTH (UP TO CM)							
		1000	1050	1100	1150	1200	1250	1300	
AWNING PROTECTION ROOF   PIVOT (UP TO CM)*	75	£653	£746	£746	£747	£747	£796	£888	
	100	£875	£1,017	£1,017	£1,019	£1,019	£1,066	£1,207	
	125	£1,097	£1,287	£1,287	£1,289	£1,289	£1,337	£1,527	
	140	£1,318	£1,558	£1,558	£1,560	£1,560	£1,607	£1,846	

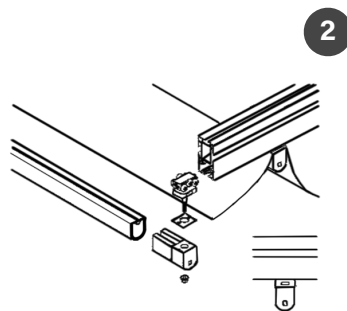
# ASHELTA APPENDIX

## UNDERSIDE DRIP-COLLECTION RIM (FLAT VERSIONS)



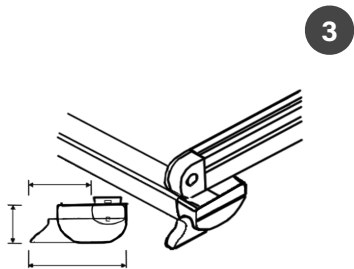
Welded PVC profile on the underside of the fabric. Only for fabrics in the suggested configuration.

## ADD-ON INTERMEDIATE SUPPORT TUBE



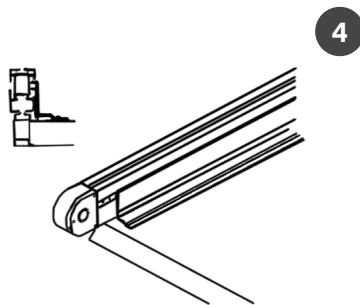
Complete fabric support tube with end caps, joints (where present) and intermediate sliders.

## RETRACTABLE GUTTER



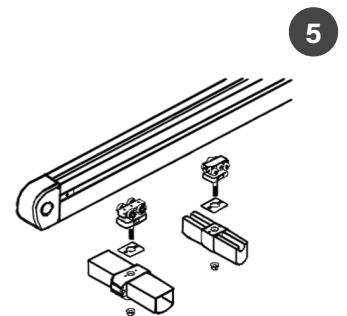
Extruded aluminium profile for rainwater collection, only for sloped versions, fixed to the end support tube. One drainage per runner. Down pipes not provided.

## ANTI-SPRAY PROFILE



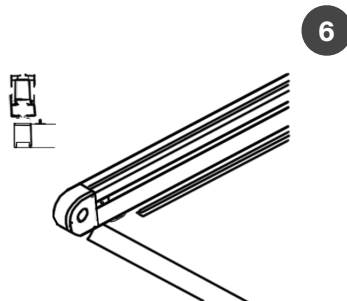
PVC profile pressed on the lateral side of the runner for retention of rainwater spray. Always in addition to the anti drop system.

## ADD-ON RUNNER



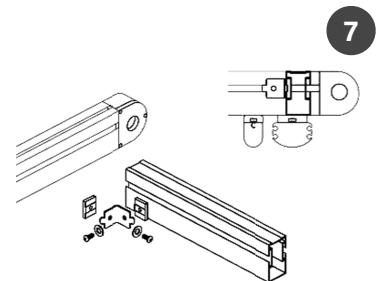
ASHELTA runner complete with sliders, support tube joints, central transmission shaft with bushings.

## ANTI-DROP SYSTEM (TILTED VERSIONS)



Weldable PVC profile on the upper part of the fabric for lateral rainwater prevention.

## CROSSBAR



Aluminium profile and accessories to be fixed to self-supporting drive or, in addition, to support the protection cover.

## Let's Talk

Contact us and find out  
how to place the  
Ashelta Retractable Roof  
at the heart of your  
outdoor project.

Tel 0330 175 5533 | Email [sales@ashelta.com](mailto:sales@ashelta.com)

